

METAL DEFLECTED NOZZLE



APPLICATION

Cooling
 Film Washing
 Fire Suppression
 Foam Control
 Spraying Eliminator Plates
 Water Curtain

FEATURES

Precision engineered for quality control of flow, deflection and spray angle
 Wide-angle flat fan spray pattern with uniform distribution
 Uniform distribution over a wide range of flow rates and pressure
 Unobstructed flow passage minimises clogging
 One piece male threaded design
 Hexagon body for quick and easy installation

DESCRIPTION

The metal deflected nozzle produces a wide flat fan spray pattern with uniform distribution, the spray is deflected 75° from inlet of orifice. The spray nozzle is a one piece male pipe threaded design with a hex body for easy installation.

MATERIALS AVAILABLE

Brass
 Stainless Steel
 Other materials available on request.

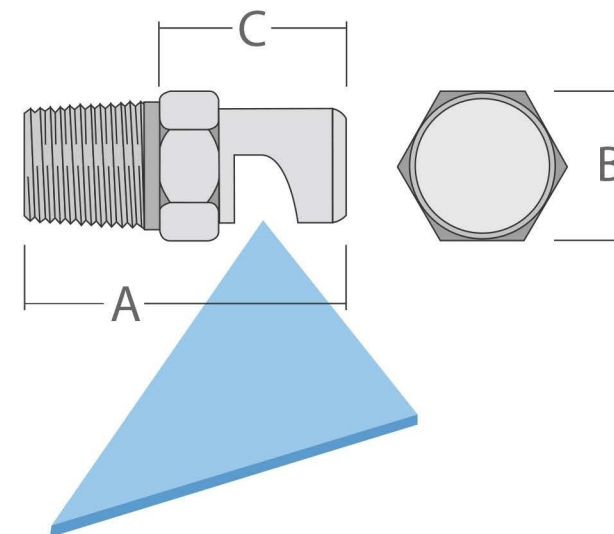
AVAILABLE SPRAY ANGLES

110°, 115°, 125°, 145°

ORDERING EXAMPLE

Metal deflected Nozzle – Brass 1/2" 40-145°

Nozzle Reference	Thread Connection BSP						Flow (L/min) @ Pressur (bar)							Spray Angle @ 1.5 bar
	1/8"	1/4"	3/8"	1/2"	3/4"	1"	0.5	1.0	1.5	2.0	2.5	3.0	4.0	
0.50	☐						0.16	0.23	0.28	0.32	0.36	0.39	0.46	110
0.80	☐						0.24	0.34	0.42	0.48	0.54	0.59	0.68	115
1.0	☐						0.32	0.46	0.56	0.64	0.72	0.79	0.91	115
1.5	☐						0.48	0.68	0.84	0.97	1.08	1.18	1.37	115
2.0	☐	☐					0.64	0.91	1.12	1.29	1.44	1.58	1.82	115
2.5	☐	☐					0.81	1.14	1.40	1.61	1.80	1.97	2.28	115
3.0	☐	☐					0.97	1.37	1.68	1.93	2.16	2.37	2.74	125
4.0	☐	☐					1.29	1.82	2.23	2.58	2.88	3.16	3.65	125
5.0	☐	☐					1.61	2.28	2.79	3.22	3.60	3.95	4.56	125
7.5	☐	☐					2.42	3.42	4.19	4.84	5.41	5.92	6.84	145
10	☐	☐					3.22	4.56	5.58	6.45	7.21	7.90	9.12	145
15	☐	☐					4.84	6.84	8.38	9.67	10.81	11.84	13.68	145
20	☐	☐	☐				6.45	9.12	11.17	12.89	14.42	15.79	18.24	145
25		☐	☐				8.06	11.40	13.96	16.12	18.02	19.74	22.79	145
30			☐				9.67	13.68	16.75	19.34	21.62	23.69	27.35	145
35			☐				11.28	15.96	19.54	22.57	25.23	27.64	31.91	145
40			☐	☐			12.89	18.24	22.33	25.79	28.83	31.58	36.47	145
50				☐			16.12	22.79	27.92	32.24	36.04	39.48	45.59	145
60				☐	☐		19.34	27.35	33.50	38.68	43.25	47.38	54.71	145
80				☐	☐		25.79	36.47	44.67	51.58	57.67	63.17	72.94	145
100				☐	☐		32.24	45.59	55.83	64.47	72.08	78.96	91.18	145
120					☐		38.68	54.71	67.00	77.37	86.50	94.75	109.41	145
160					☐		51.58	72.94	89.33	103.15	115.33	126.34	145.88	145
210					☐		67.70	95.74	117.25	135.39	151.37	165.82	191.47	145
300						☐	96.71	136.76	167.50	193.41	216.24	236.88	273.53	145
450						☐	145.06	205.15	251.25	290.12	324.37	355.33	410.29	145



DIMENSIONS

Thread Dimensions	A (mm)	B (mm)	C (mm)
1/8"	19.5	11.0	10.0
1/4"	25.4	15.0	12.7
3/8"	28.5	18.0	14.3
1/2"	35.0	24.0	17.5
3/4"	38.0	27.0	19.0
1"	51.0	36.0	25.5