

# SPIRAL FULL CONE NOZZLE



## APPLICATION

Aerating  
Chemical Processing  
Condenser Sprays  
Fire Suppression  
Evaporative Cooling  
Gas Scrubbing  
Desulphurisation  
Gas cooling

## FEATURES

One piece construction  
No internal parts  
Clog resistant performance  
High energy efficiency  
Wide range of flow rates and spray angles  
Hexagon body for easy installation

## DESCRIPTION

The spiral full cone nozzle produces a full cone spray pattern with heavy rings within the spray. The nozzle has clog-resistant performance with no internal parts and is constructed in one piece. The nozzle has a hex body design for easy installation. Male threaded connection is standard.

## MATERIALS AVAILABLE

Brass  
Stainless Steel  
PVC  
Polypropylene  
PTFE  
Other materials available on request

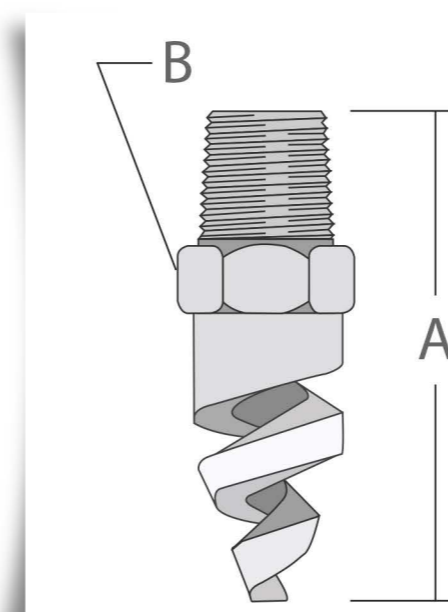
## SPRAY ANGLES AVAILABLE

60°, 90°, 150°, 170°

## ORDERING EXAMPLE

Spiral Nozzle Full Cone Stainless Steel 3/8" 16-90°

Male Pipe Size	Nozzle Reference	Flow-Litres/flow @ Pressure Bar								Approx. Orif. Dia.	(mm) Free Pass Dia.
		0.5	0.7	1.0	2.0	3.0	5.0	10.0	20.0		
1/8	6	2.26	2.67	3.19	4.50	5.50	7.10	10.10	14.30	2.38	2.38
1/8	8	4.19	4.96	5.93	8.40	10.30	13.20	18.70	26.50	3.18	3.18
1/4	6	2.26	2.67	3.19	4.50	5.50	7.10	10.10	14.30	2.38	2.38
1/4	8	4.19	4.96	5.93	8.40	10.30	13.20	18.70	26.50	3.18	3.18
1/4	10	6.45	7.63	9.12	12.90	15.80	20.40	28.80	40.80	3.97	3.18
3/8	6	2.26	2.67	3.19	4.50	5.50	7.10	10.10	14.30	2.38	2.38
3/8	8	4.19	4.96	5.93	8.40	10.30	13.20	18.70	26.50	3.18	3.18
3/8	10	6.45	7.63	9.12	12.90	15.80	20.40	28.80	40.80	3.97	3.18
3/8	12	9.67	11.40	13.70	19.30	23.70	30.60	43.20	61.10	4.76	3.18
3/8	14	13.10	15.40	18.50	26.10	32.00	41.30	58.40	82.60	5.56	3.18
3/8	16	17.10	20.20	24.20	34.20	41.80	54.00	76.40	108.00	6.35	3.18
3/8	20	26.60	31.50	37.60	53.20	65.10	84.10	119.00	168.00	7.94	3.18
1/2	24	38.8	46.0	54.9	77.7	95.1	123	174	246	9.53	4.76
1/2	28	53.2	62.9	75.2	106	130	168	238	336	11.1	4.76
3/4	32	67.7	80.1	95.7	135	166	214	303	428	12.7	4.76
1	40	108	128	153	216	264	341	483	683	15.9	6.35
1	48	153	181	216	306	375	484	685	968	19.1	6.35
1 1/2	56	208	246	294	416	509	657	930	1320	22.2	7.94
1 1/2	64	272	322	385	545	667	861	1220	1720	25.4	7.94
1 1/2	72	309	366	438	619	758	978	1380	1960	28.6	7.94
2	88	451	534	638	902	1110	1430	2020	2850	34.9	11.1
2	96	570	674	806	1140	1400	1800	2550	3600	38.1	11.1
3	112	825	976	1170	1650	2020	2610	3690	5220	44.5	14.3
3	128	1090	1290	1550	2190	2680	3460	4891	6920	50.8	14.3
4	160	1690	2000	2390	3380	4140	5350	7570	10700	63.5	15.9



## DIMENSIONS

Size	A Dimension (Length) mm	B Dimension (Hexagon) mm
1/8"	42.9	14.3
1/4"	47.6	14.3
3/8"	47.6	17.5
1/2"	63.5	22.2
3/4"	69.9	28.6
1"	92.1	34.9
1 1/2"	111	50.8
2"	176	63.5
3"	219	88.9
4"	257	114